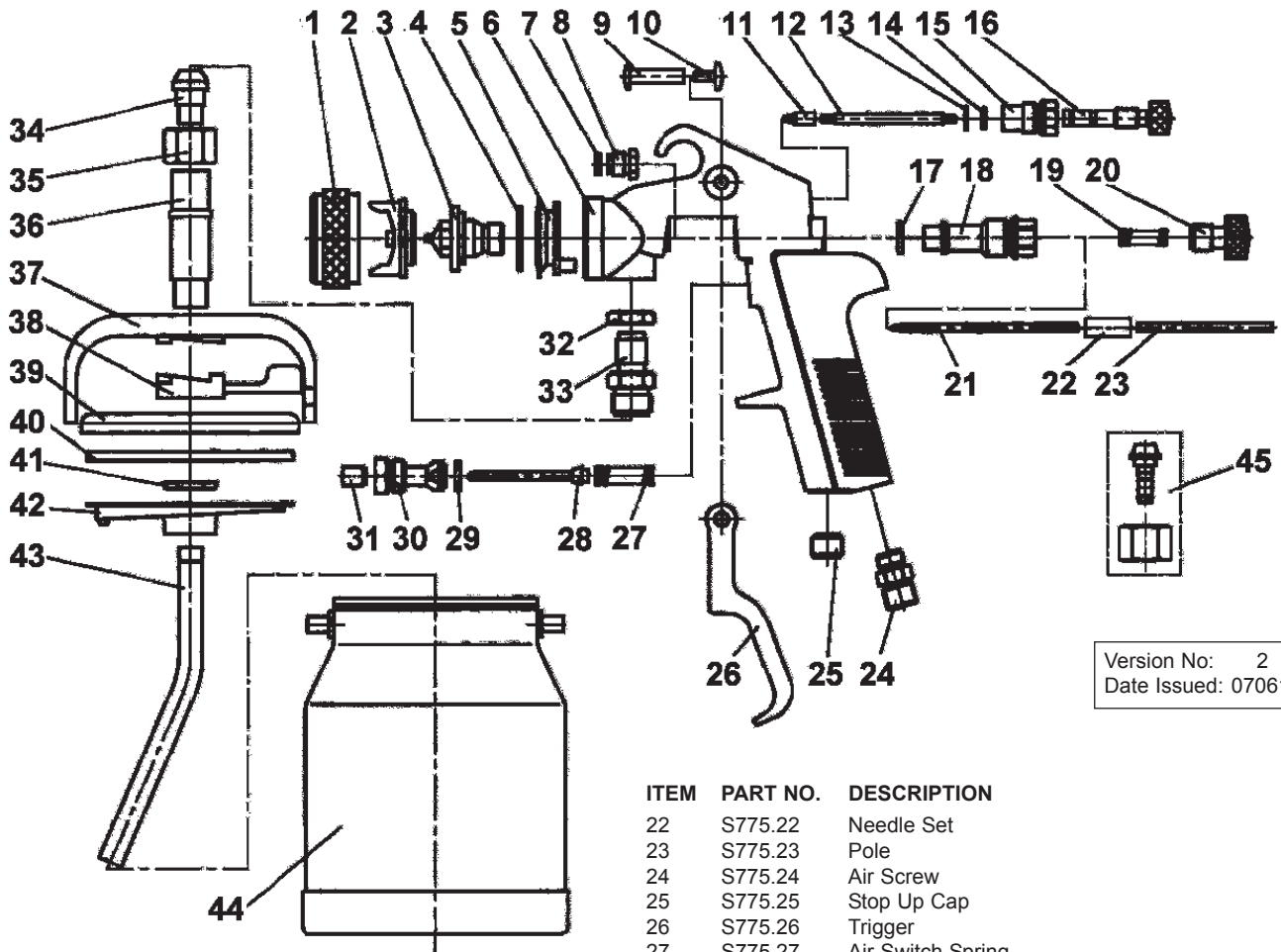


Siegen

Parts for:
SUCTION FEED SPRAY GUN
 Model: **S775**



Version No: 2
 Date Issued: 070611

ITEM	PART NO.	DESCRIPTION
1	S775.01	Locking Ring
2	-	Air Cap, part of Set-up, see items A,B,C,D
3	-	Fluid Nozzle, part of Set-up, see items A,B,C,D
4	S775.04	Air Cap Packing
5	S775.05	Air Current Ring
6	S775.06	Body
7	S775.07	Packing
8	S775.08	Nozzle Packing Screw
9	S775.09	Trigger Pin
10	S775.10	Trigger Screw
11	S775.11	Air Valve Cap
12	S775.12	Pole
13	S775.13	Stop Ring
14	S775.14	O-ring
15	S775.15	Packing Set
16	S775.16	Adjusting Knob
17	S775.17	Packing
18	S775.18	Needle Sleeve
19	S775.19	Needle Spring
20	S775.20	Needle Adjusting Screw
21	-	Fluid Needle, part of Set-up, see items A,B,C,D

ITEM	PART NO.	DESCRIPTION
22	S775.22	Needle Set
23	S775.23	Pole
24	S775.24	Air Screw
25	S775.25	Stop Up Cap
26	S775.26	Trigger
27	S775.27	Air Switch Spring
28	S775.28	Air Valve
29	S775.29	Packing
30	S775.30	Air Packing Screw
31	S775.31	Air Screw
32	S775.32	Screw Cap
33	S775.33	Fluid Screw
34	S775.34	Copper Pin
35	S775.35	Screw
36	S775.36	Joint Screw
37	S775.37	Yoke Assembly
38	S775.38	Lever
39	S775.39	Cup Top Assembly
40	S775.40	Cup Gasket
41	S775.41	Screw Cap
42	S775.42	Baffle
43	S775.43	Fluid Tube Assembly
44	S775.44	Cup
45	S775.45	Spare Parts (supplied)
A	S775-1.5	1.5mm Set-up (option)
B	S775-1.7	1.7mm Set-up (supplied)
C	S775-1.8	1.8mm Set-up (option)
D	S775-2.0	2.0mm Set-up (option)

Note that items 2, 3 and 21 must match in set-up size.

NOTE: It is our policy to continually improve products and as such we reserve the right to alter data, specifications and component parts without prior notice.

IMPORTANT: No liability is accepted for incorrect use of this product.

WARRANTY: Guarantee is 12 months from purchase date, proof of which will be required for any claim.

Siegen

Sole UK Distributor, Siegen, Bury St. Edmunds, Suffolk.