

Thank you for purchasing a Sealey product. Manufactured to a high standard this product will, if used according to these instructions and properly maintained, give you years of trouble free performance.



**IMPORTANT: PLEASE READ THESE INSTRUCTIONS CAREFULLY. NOTE THE SAFE OPERATIONAL REQUIREMENTS, WARNINGS & CAUTIONS. USE THE PRODUCT CORRECTLY AND WITH CARE FOR THE PURPOSE FOR WHICH IT IS INTENDED. FAILURE TO DO SO MAY CAUSE DAMAGE AND/OR PERSONAL INJURY AND WILL INVALIDATE THE WARRANTY. PLEASE KEEP INSTRUCTIONS SAFE FOR FUTURE USE.**

### 1. SAFETY INSTRUCTIONS

#### GENERAL SAFETY

- WARNING!** Stop the engine and disconnect the mains water supply before changing accessories or performing any maintenance.
  - WARNING!** Do not operate the washer if damaged. Replace or repair using recommended parts only. Unauthorised parts may be dangerous and will invalidate your warranty. Use authorised Service agent only.
  - ✓ Keep the washer in good condition. Regular maintenance will give the best and safest performance.
  - ✓ Ensure you comply with the water supply company regulations before connecting to the mains. If you are connecting to the mains drinking water supply ensure you have a back flow preventer valve installed.  
The water supply hose must be reinforced and have an internal diameter of 13mm (1/2"). The minimum water supply rate must be at least equal to the cleaner capacity. The water temperature must not exceed 60°C, and the pressure must not exceed 10bar.
  - WARNING!** DO NOT operate the washer without the water supply connected. To do so will damage the machine.
  - ✓ Position the washer as near as possible to the mains water supply.
  - ✓ Only use recommended washing detergents. Failure to do so may cause corrosion to equipment and hoses.
  - WARNING!** Use the washer on a flat, level surface, in a horizontal position. Failure to do so will invalidate your warranty.
  - ✓ Wear safety goggles and adequate protective clothing, and anti-slip rubber soled footwear.
  - WARNING!** The high pressure jet must be used with caution. Ensure you aim the lance correctly at the work surface. Failure to do so may scatter loose particles at the same force as the water pressure, resulting in possible damage or personal injury.
  - ✓ Keep all persons and animals at a safe distance from the hose working area. It is difficult to give an exact safe distance as it will depend upon your circumstances. We recommend at least 15 metres (16 yards). Also ensure other persons are aware before you start to depress the washer trigger.
  - ✓ Hold the gun firmly for it will tend to "kick" backwards when you first pull the trigger.
  - ✗ DO NOT allow children or untrained persons to operate the washer.
  - ✗ DO NOT connect other appliances to the washer inlet or outlet. Only use the supplied or recommended outlet nozzle.
  - ✗ DO NOT use the washer if the water supply hose is damaged. Also check that the hose is laid out straight and safely.
  - ✗ DO NOT jam the operating trigger in the operating position, and DO NOT pull the trigger without holding and aiming the gun correctly.
  - WARNING!** DO NOT attempt to alter the pressure regulating valve as this may cause serious damage.
  - ✗ DO NOT move the washer by pulling on the high pressure hose or the mains water supply hose. Use the machine handle.
  - ✗ DO NOT direct jet against yourself, other persons or animals, electrical equipment or the machine itself.
  - WARNING!** DO NOT leave the engine running for more than 2 minutes without operating the trigger, as temperature/pressure increase may damage the sealing system.
  - ✗ DO NOT use the washer if you are tired or under the influence of alcohol, drugs or intoxicating medication.
  - ✓ Ensure that the hose pressure is discharged before disconnecting the mains water hose.
  - ✓ When not in use, disconnect from the water supply. Clean and dry the washer and store in a safe, dry, childproof area.
  - ✗ DO NOT allow the machine to become frozen.
- #### ENGINE SAFETY
- WARNING!** Check the engine oil level before each startup. Only use an approved oil and never operate the engine with insufficient oil.
  - WARNING!** DO NOT touch spark plug or plug lead with wet (or dry) hands whilst the engine is running - severe, potentially fatal, electric shock may result.
  - ✓ For safety instructions relative to the maintenance and use of the petrol engine refer to the engine instruction manual.
  - ✗ DO NOT check ignition system by removing the spark plug or spark plug lead. Use specific tester or contact service agent.
  - ✗ DO NOT operate the washer in an enclosed area as the motor exhaust fumes are a health hazard.
  - ✗ DO NOT use the washer with flammable, toxic or corrosive liquids.
  - ✗ DO NOT leave the washer unattended whilst operating, and DO NOT remove the fuel cap whilst the engine is running.
  - ✗ DO NOT refuel the engine whilst it is running. Stop the engine and allow it to cool for two minutes before attempting to refuel.
  - ✗ DO NOT refuel in a closed or poorly ventilated environment as there is a danger of explosion or fire. Refuel outdoors.
  - ✗ DO NOT smoke or place the washer near any naked flames whilst re-fuelling.
  - ✗ DO NOT operate washer if there is a fuel leak. Move the unit and avoid any combustion until the leak has been fixed and the machine is dry.
  - ✗ DO NOT start the engine if there are any flammable materials near the exhaust system or in the path of the exhaust gases.
  - ✗ DO NOT block the engine ventilation grilles.
  - ✓ Ensure engine fuel is stored in an approved container.
  - ✓ For long term storage ensure the fuel is drained and that the washer is adequately protected against frost.
  - ✗ DO NOT operate the engine with either the silencer or air filter removed.
  - ✗ DO NOT touch the engine during or after use. To avoid burns allow it to cool before handling.

### 2. SPECIFICATION & INTRODUCTION

Model No: ..... **PCM1300.V2**  
Output Pressure: ..... 1300psi  
Flow Rate: ..... 420ltr/hr  
Hose Length: ..... 5.0mtr  
Nozzle: ..... Adjustable spray pattern  
Maximum Inlet Temperature: ..... 60°C  
Engine Type: ..... 4 Stroke, single cylinder, petrol  
Engine Capacity: ..... 81cc

Engine Power ..... 1.8kW(2.4hp) @ 3600rpm  
Starting: ..... Recoil  
Fuel Tank: ..... 1.6ltr  
Fuel ..... Lead-free petrol, 85Ron Min  
Fuel Consumption: ..... 0.8 - 1.0ltr/hr  
Weight: ..... 18kg

**Introduction:**

Petrol powered pressure washer with recoil starting. Suitable for commercial and domestic applications with 5mtr pressure hose, gun, lance and adjustable nozzle. Low-pressure liquid detergent injection system. Safety latch on trigger and automatic low-oil engine shutdown reduce risks of misuse and equipment damage. Unit stands on four sucker feet to prevent creep, and has integral handle. Supplied with tools and full Instructions.

**3. ASSEMBLY / PRE-OPERATION**

Unpack contents and check to ensure all parts are in good condition. If you experience any problems contact your dealer immediately.

**3.1 ASSEMBLY.**

- 3.1.1 Screw together the two halves of the lance as shown in fig.5. Slide the rubber cover over the connector nut.
- 3.1.2 Attach the high pressure hose to the water inlet on the gun handle as shown in fig.3A and B.
- 3.1.3 Attach the other end of the high pressure hose to the pump outlet as shown in fig.2.
- 3.1.4 Connect the mains water supply hose to the pump inlet as shown in fig.2.

**Note:** The water supply hose must be reinforced and have an internal diameter of 13mm (1/2"). The minimum water supply rate must be at least equal to the washer flow rate.

**3.2 DETERGENT DELIVERY.**

- 3.2.1 On the side of the pump outlet is a brass siphon injection fitting. Push the detergent delivery pipe onto the fitting and place the filter on the other end into a container of detergent (fig.2). When the nozzle on the lance is set to low pressure, detergent will be drawn from the container by siphonic action and will mix automatically with the water from the pump. Use Sealey General Purpose Detergent, AK130 (25ltr) or AK131 (5ltr). Traffic Film Remover is also available, AK132 (25ltr) or AK133 (5ltr).

**3.3 NOZZLE CONTROL.**

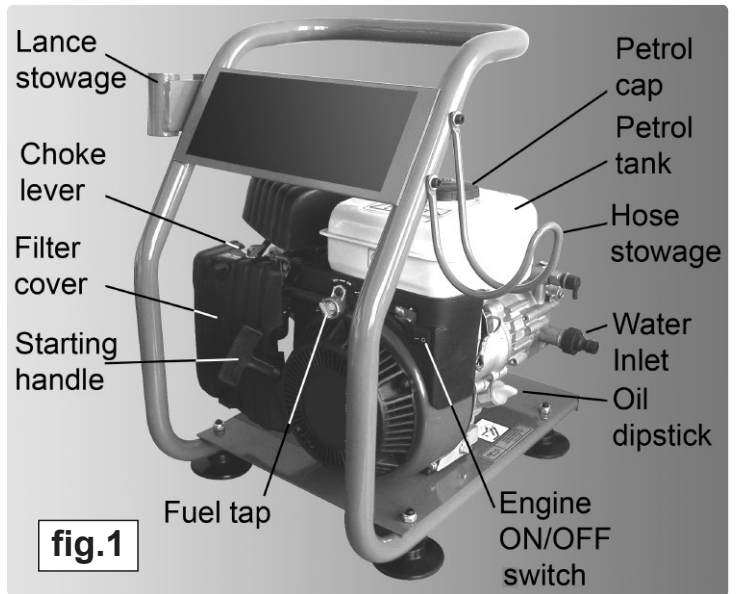
- 3.3.1 PRESSURE. To change from high pressure to low pressure the whole nozzle moves backwards and forwards by about 6mm on the end of the lance. Pull the nozzle back towards the handle for high pressure and push it away from the handle for low pressure (see fig.5).
- 3.3.2 SPRAY PATTERN. To change the spray pattern from a pencil jet to a fan jet rotate the nozzle as shown in fig.4

**3.4 ENGINE LUBRICATION.**

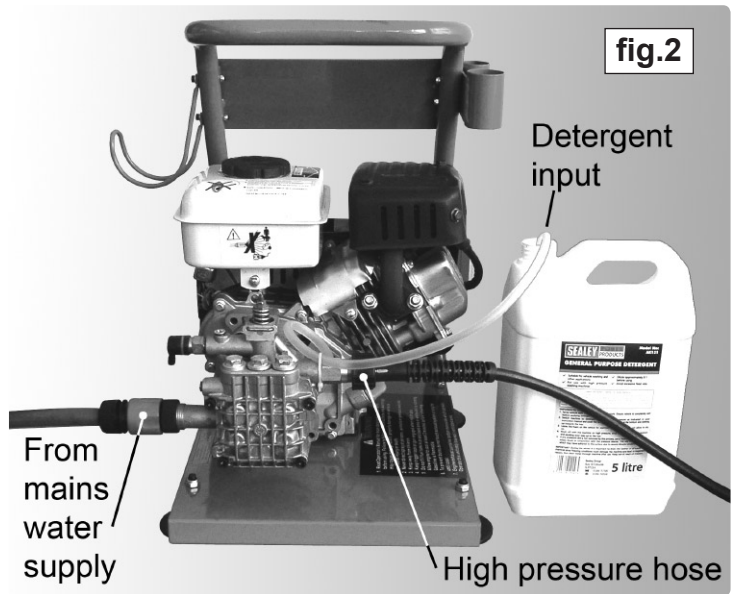
- 3.4.1 The pressure washer engine is shipped from the factory without oil. Do not attempt to start the engine before the sump has been filled with the correct amount of oil. Refer to the section 7.2.

**3.5 FUEL.**

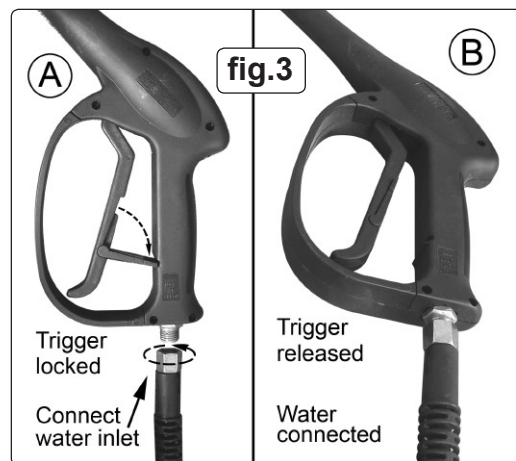
- 3.5.1 Fill the petrol tank with fresh unleaded petrol.



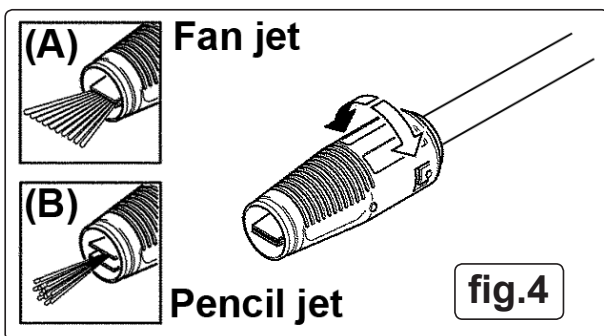
**fig.1**



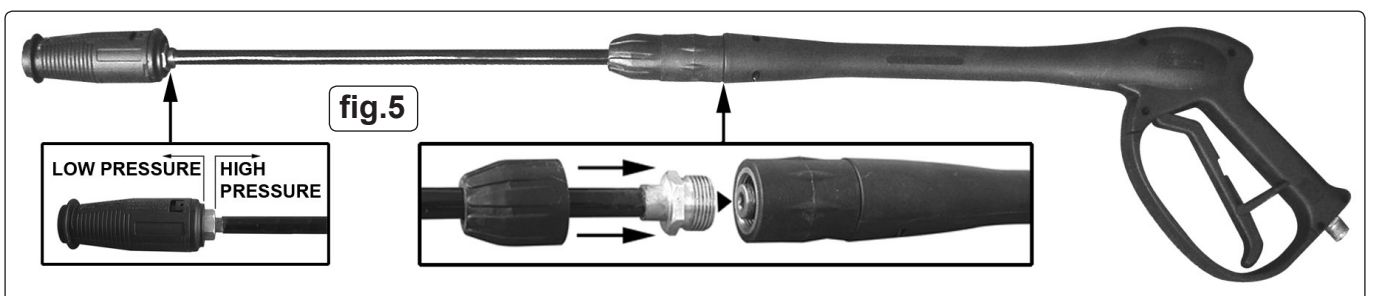
**fig.2**



**fig.3**



**fig.4**



**fig.5**

## 4. SAFETY FEATURES

### 4.1 THERMAL RELIEF VALVE

- 4.1.1 A thermal relief valve is fitted to protect the machine from overheating if the gun remains closed for an extended period of time or if the nozzle becomes blocked. To prolong the life of the washer every effort should be made to avoid overheating. It is recommended that if the unit is not to be used for two minutes or more it should be switched off.

### 4.2 TRIGGER LOCK.

- 4.2.1 To prevent accidental starting of the pressure washer the trigger can be locked as shown in Fig.3A by hinging out the lever built into the back of the trigger and pressing it until it snaps into an indent in the handle. To release the locking lever flex the trigger handle forwards and flip the lever out of the indent and fold it back into the trigger. The trigger should be locked whenever the washer is not in use.

### 4.3 LOW OIL SHUTDOWN.

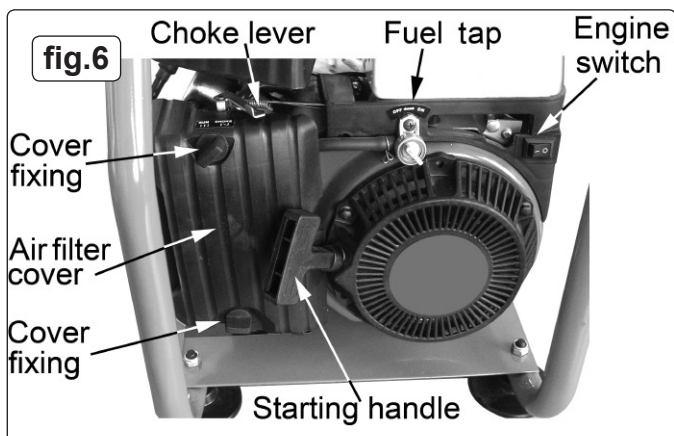
- 4.3.1 The engine on this washer is equipped with a low oil shutdown feature which stops the engine if the oil drops below the specified level. Should the engine cut out, first check that it is standing on a level surface. If the oil level is still low top it up as described in Section 7.2.

## 5. OPERATION

- ❑ **WARNING! Ensure you read, understand and apply Section 1 safety instructions.**
- ❑ **WARNING! Dry running can seriously damage the unit.**
- ❑ **WARNING! DO NOT leave motor running for more than 2 minutes without operating the trigger, as temperature/pressure increase may damage sealing system.**

### 5.1. STARTING PROCEDURE.

- 5.1.1 Check engine oil level before each use.
- 5.1.2 Check that the mains water feed hose is laid straight, and then fully open the water tap. Check to ensure there are no leaks from hoses or connections.
- 5.1.3 Place the detergent input tube into the detergent container (Fig.2) Ensure that the filter goes to the bottom of the container.
- 5.1.4 Release gun trigger safety catch and depress trigger to allow any air left in the system to escape, hold for 10 seconds and release.
- 5.1.5 Switch the engine switch to the ON position (press left hand side of switch with "I" symbol). See fig.6.
- 5.1.6 Turn the fuel tap clockwise to the ON position. See fig.6.
- 5.1.7 If starting the engine from cold move the choke lever fully to the right. See fig.6.
- 5.1.8 To start the engine give a steady pull on the starting handle. (The engine will be a little easier to start if the trigger is pressed during starting. This must be done by a second person who can control the initial kickback as the water is expelled).
- 5.1.9 As the engine warms up move the choke lever left into the 'run' position.



### 5.2. NOZZLE SPRAY ADJUSTING (FIG 6).

Adjust the nozzle pressure and spray pattern as described in section 3.3.

#### ❑ CAUTIONS!

- a) Avoid sudden bursts of water as this will cause the water pressure to drop and put extreme pressure on the hoses and connections.
- b) If another person is using water from the same supply as the washer, the water pressure will drop and the washer will not operate correctly. Switch the engine off immediately and wait until the pressure is restored.

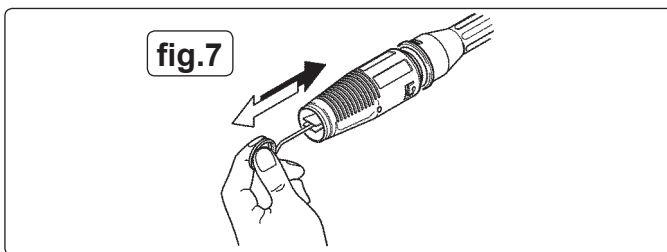
### 5.3. CLEANING

- 5.3.1 Push nozzle forward - **LOW PRESSURE** - and rotate to fan jet. *Only apply detergent at the low pressure rate.*
- 5.3.2 Depress the trigger to apply the detergent to the **dry surface** of the item which is to be cleaned. Vertical surfaces must be cleaned from the bottom upwards.
- 5.3.3 When detergent application is complete remove the syphon tube from the detergent container and place it in a container of clean water. Run the washer at low pressure to purge the gun of detergent.
- 5.3.4 Leave the detergent to act for 1-2 minutes, but **do not** allow the surface to dry.
- 5.3.5 Pull nozzle back - **HIGH PRESSURE** - and use fan or pencil jet for washing.
- 5.3.6 Hold nozzle firmly at least 30cm (12") from the surface and commence washing with high pressure clean water. Work from the bottom upwards, and avoid the water running on to unwashed surfaces.

### 5.4 SHUT DOWN PROCEDURE.

- 5.4.1 When you have finished washing, turn off the engine switch and close the fuel tap. Turn off the mains water supply.
- 5.4.2 Discharge residual pressure from the washer by pressing the trigger until no more water comes out of the nozzle.
- 5.4.3 Engage the trigger safety catch, wipe the washer and store in a dry, safe, childproof area.

## 6. MAINTENANCE (WASHER)

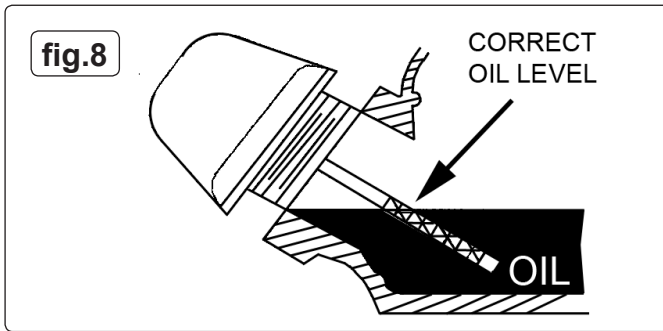


**Maintenance should only be performed with the engine turned off and the unit disconnected from the mains water supply.**

- 6.1 Clean gun nozzle with a suitable rigid piece of wire (fig 7). Detach lance from gun, remove any dirt from the nozzle head and rinse with clean water. If this does not improve the flow from the nozzle it should be replaced.
- 6.2 Check and clean the water inlet filter every 50 operating hours. Remove the plastic connector from the water inlet on the pump and remove the internal filter and clean it. If the filter is damaged in any way it should be replaced.
- 6.3 Check and clean the detergent filter at the end of the detergent input tube on a regular basis.
- 6.4 **WINTER STORAGE:** Fill the pump with an anti-freeze mixture before storing in a frost free, safe, dry area for the winter. Introduce the antifreeze by the following method.
- 6.4.1 Shut off the water supply and disconnect the supply hose. Relieve pressure within the pump by squeezing the gun trigger. Leave the high pressure hose connected.
- 6.4.2 Tip the unit on its side with the water inlet facing upwards and insert a small funnel into the inlet. Pour in some antifreeze mixture.
- 6.4.3 Disconnect the ignition lead from the spark plug.
- 6.4.4 Pull the recoil starter several times to circulate the antifreeze through the pump. Continue to add antifreeze and pull the recoil until antifreeze is expelled when the trigger is pulled.

## 7. MAINTENANCE (ENGINE)

- 7.1 Change engine oil after the first 8 hours of operation. Thereafter, change oil monthly or every 50 hours of operation. Change oil more often if engine is operated under heavy load, or in high ambient air temperatures. During normal operation, partially burned fuel, small particles of metal from the cylinder walls, pistons, bearings and combustion deposits will gradually contaminate the oil. If the oil is not changed regularly, these foreign particles can cause increased friction and a grinding action which shortens the life of the engine. Fresh oil also assists in cooling. Old oil gradually becomes thick and loses its cooling ability as well as its lubricating qualities.



### 7.2 CHECKING THE OIL LEVEL. Ensure the unit is on a level surface.

- 7.2.1 Unscrew the dipstick and wipe it clean of oil. Note that the lower textured portion of the dipstick indicates the area that should be immersed in oil. If the oil encroaches onto the smooth upper part of the dipstick the oil level is too high.
- 7.2.2 Check the oil level by seating the dipstick into the hole without screwing it in. See fig.8 above.
- 7.2.3 Top up oil if necessary and recheck level.
- 7.2.4 Screw dipstick fully home to seal oil fill hole.

Note: The engine is fitted with a low oil sensor which will automatically shut the engine down in a low oil situation. The sensor may also operate if the unit is not on a level surface.

### 7.3 ENGINE STORAGE. If the unit is not to be used for more than one month the following procedure should be followed.

- 7.3.1 Top-up engine oil to maximum.
- 7.3.2 Drain petrol from the fuel tank, fuel line, fuel tap and carburettor.
- 7.3.3 Pour one teaspoon of engine oil through the spark plug hole, pull the recoil starter several times and replace the spark plug. Then pull the starter slowly until an increase in pressure is felt indicating that the piston has commenced its compression stroke and leave it in this position. This closes both the intake and exhaust valves and prevents the inside of the cylinder from rusting.
- 7.3.4 Cover the unit and store it in a clean dry place that is well ventilated and away from open flame or sparks.

- 7.4 **AIR CLEANER.** To access the air cleaner element unscrew the two plastic fixings seen in fig.6 and remove the black cover. Take out the foam element and soak it in petrol to clean out dirty oil deposits. Squeeze out any excess petrol and allow the element to air dry (do not use any source of heat to dry it). When the element is thoroughly dry soak it in clean engine oil. Squeeze out any excess oil and place the element back into the housing and replace the cover.

### 7.5 MAINTENANCE SCHEDULE.

Note: When the engine is new it will not reach its peak performance until it has been used for several hours. No special running in conditions are required.

- 7.5.1 **Before each use.**  
Check engine oil level.  
Inspect the unit for evidence of oil and fuel leaks.
- 7.5.2 **After the first 8 hours only.**  
Change the engine oil.  
Check the valve clearances.
- 7.5.3 **Every 50 hours.**  
Change the engine oil.  
Check valve clearances  
Inspect and clean air filter.  
Clean spark plug and check gap.

## 8. TROUBLESHOOTING

PROBLEM	POSSIBLE CAUSES	REMEDY
Engine will not start	Low oil sensor has shut down engine	Top-up oil to correct level
	Engine switch not in the ON position	Turn switch ON
	Pressure build-up in pump	Operate trigger
Engine is overloaded	Nozzle partially blocked	Clean nozzle
	Excessive pressure build-up	Return to dealer to have reflux valve adjusted.
Engine running but pump not building maximum pressure or has irregular pressure	Mains water turned off	Turn on mains water
	Unit has been stored in freezing temperatures	Thaw out completely including hose, gun and wand.
	Inadequate water supply	Minimum required is 7ltr/min at 20psi.
	Water inlet filter clogged	Clean filter
	Kink in water supply hose	Straighten hose
	Wand nozzle worn or damaged	Replace nozzle
	Air in pump	Run unit with gun open and wand removed until air is purged
	Suction or discharge valve clogged or worn out	Clean suction or discharge valves
	Bypass valve not operating effectively	Clean bypass valve
No intake of chemicals	Injection tube not properly attached to unit	Push tube firmly onto siphon nozzle
	Tube cracked or split	Replace tubing
	Nozzle set to high pressure	Move nozzle to low pressure position
	Siphon nozzle blocked	Clean nozzle
Trigger will not move	Trigger lock engaged	Release trigger lock
Water in crankcase	High humidity	Change oil more frequently
	Worn seals	Return to Sealey dealer for seal replacement
Noisy operation	Worn bearings	Return to Sealey dealer for bearing replacement
	Air mixed with water	Check inlet line for correct size or restriction
Rough/pulsating operation with pressure drop	Inlet restriction	Check for incorrectly sized plumbing, air leaks, or blockages
	Air mixed with water	Check inlet line for correct size or restriction
High crankcase temperature	Wrong grade of oil	Use recommended oil
	Oil too high/low	Adjust oil level to recommended.

**NOTE:** It is our policy to continually improve products and as such we reserve the right to alter data, specifications and component parts without prior notice.

**IMPORTANT:** No liability is accepted for incorrect use of this product.

**WARRANTY:** Guarantee is 12 months from purchase date, proof of which will be required for any claim.

**INFORMATION:** For a copy of our latest catalogue and promotions call us on 01284 757525 and leave your full name and address, including postcode.



Sole UK Distributor, Sealey Group,  
Kempson Way, Suffolk Business Park,  
Bury St. Edmunds, Suffolk,  
IP32 7AR



01284 757500



www.sealey.co.uk



01284 703534



sales@sealey.co.uk